

# APM-TEC SOUND SPECIFICATIONS SHEET

## APM-TL60AC



### **Tail Lift LED Light** **Main Features**

- Build-in auto On/Off detecting gyro sensor.
  - Connection only to power supply.
  - Easy to install.
- Each light can work alone, but should be connected to be synchronized.
- Full epoxy potted to protect the interior system from moisture, dust and vibrations. IP67.
  - Available with amber or red LED and amber or clear lens
    - E-Mark pending

Designed by: L.M.	Date: 09.04.2018	Released by: C.S	Date: 09.04.2018	Revision: 0
Spec. No.: 090418.1MS		All specifications are subject to change without written notice. Dimensions without tolerance $\pm 0.5\text{mm}$		Page 1 of 5

# APM-TEC SOUND SPECIFICATIONS SHEET

## APM-TL60AC



### 1. SPECIFICATIONS

1	Rated Voltage (VDC)	12 or 24
2	Operating Voltage (VDC)	10~30
3	LED (6x, W)	1
4	Single Flash (FPM)	96±2
5	*Current Consumption (A)	≤0.6
6	Operating Temperature (°C)	-25~+85
7	Storage Temperature (°C)	-25~+85
8	Weight (g)	325
9	Housing Material	Aluminium
10	Lens Material	Polycarbonate
11	IP Rating	67
12	RoHS/REACH Compliance	Yes

\*Applying rated voltage (VDC)

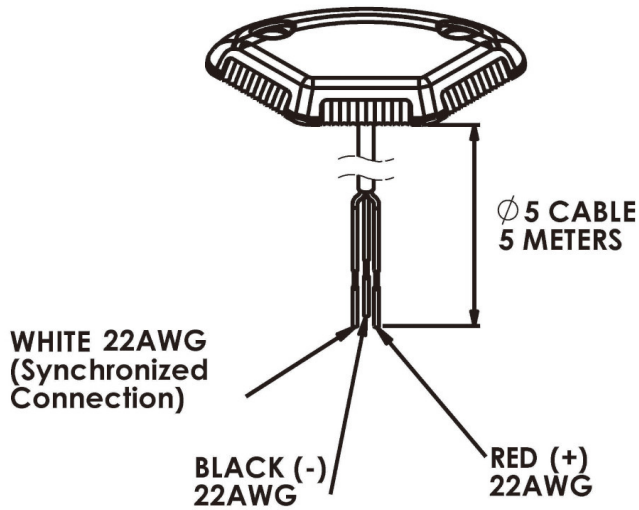
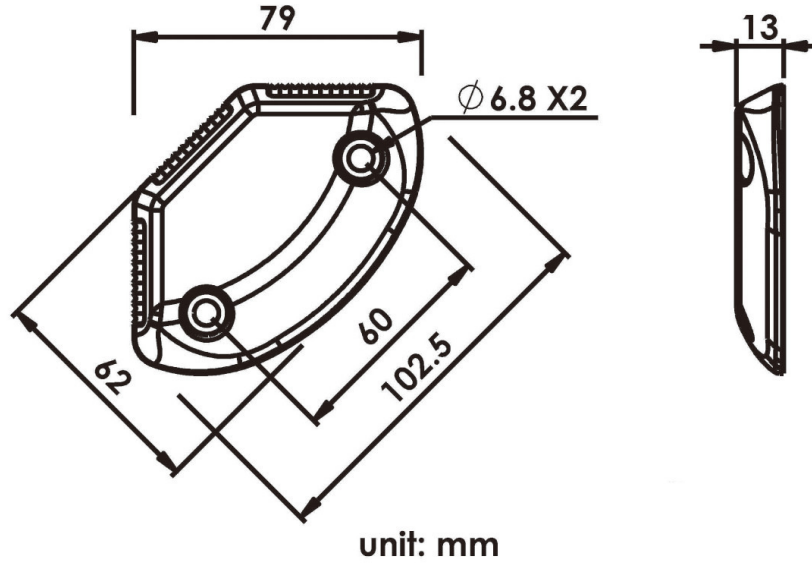
Designed by: L.M.	Date: 09.04.2018	Released by: C.S	Date: 09.04.2018	Revision: 0
Spec. No.: 090418.1MS		All specifications are subject to change without written notice. Dimensions without tolerance ±0.5mm		Page 2 of 5

# APM-TEC SOUND SPECIFICATIONS SHEET



## APM-TL60AC

### 2. DIMENSIONS (unit in mm)



Designed by: L.M.	Date: 09.04.2018	Released by: C.S	Date: 09.04.2018	Revision: 0
Spec. No.: 090418.1MS		All specifications are subject to change without written notice. Dimensions without tolerance $\pm 0.5$ mm		Page 3 of 5

# APM-TEC SOUND SPECIFICATIONS SHEET



## APM-TL60AC

### 3. RELIABILITY TEST

NO.	Items	Test condition
1	High Temperature Test	Keep sample at 70+/-2°C for 96 hours and then put in normal condition for 2 hours.
2	Low Temperature Test	Keep sample at -20+/-2°C for 96 hours and then put in normal condition for 2 hours.
3	Humidity Test	Keep sample with 90-95% R.H. at 40+/-2°C for 96 hours and then put in normal condition for 2 hours.
4	Drop Test	Drop sample on 10cm thickness wood board 3 directions for 6 times, Height: 70cm.

Allowable variation of SPL after test: +/-3dB

#### Evaluation Standard

- ◇ After each test of 1 to 4, light should be measured after 2hrs exposed in normal temperature
- ◇ After each test all specification must be satisfied in this condition

#### Appearance

- ◇ Appearance: Without any rust and damage

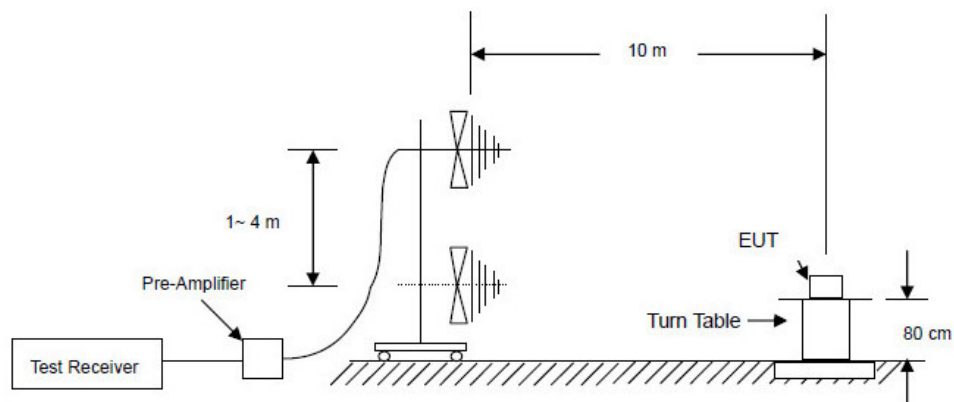
Designed by: L.M.	Date: 09.04.2018	Released by: C.S	Date: 09.04.2018	Revision: 0
Spec. No.: 090418.1MS		All specifications are subject to change without written notice. Dimensions without tolerance ±0.5mm		Page 4 of 5

# APM-TEC SOUND SPECIFICATIONS SHEET



## APM-TL60AC

### 4. TEST METHOD



- The EUT was placed on a non-conductive turntable which was 80cm above the horizontal ground plane. The EUT was set 10m away from the receiving antenna which was mounted on a non-conductive mast.
- Main cables draped to the ground plane and were routed to the main power outlet. The main power outlet was bonded to and did not protrude above the ground plane.
- The antenna was adjusted between 1m and 4m height above the ground plane and the Antenna-to-EUT azimuth was also varied during measurements to find the top 6 maximum meter readings within the frequency range limit.
- The radiated emissions were measured when the Antenna-to-EUT polarization was send horizontally and vertically.
- The values were recorded.

### 5. PACKAGING INFORMATION

1 set/box 20sets/carton/13kgs/2.35 cuft

### 6. REVISIONS

Version	Description	Date

Designed by: L.M.	Date: 09.04.2018	Released by: C.S	Date: 09.04.2018	Revision: 0
Spec. No.: 090418.1MS		All specifications are subject to change without written notice.		Page 5 of 5
		Dimensions without tolerance $\pm 0.5\text{mm}$		